



Powerzone Technologies Pte Ltd

Generator sets powered by Cummins engine

**Prime: 40kVA/32kW
Standby: 45kVA/35kW**



POWER THAT NEVER FAILS

Founded in 2009, Powerzone Technologies Pte Ltd specialized in the manufacturing of power generator sets and power plant solutions provider.

Powerzone Technologies is one of the leading power generation solution providers in Singapore, supplying High-Quality generator sets, and spare parts to a wide range of industries worldwide.

Our engines are supplied by the world's largest engine manufacturers, namely Perkins and Cummins as well as Caterpillar, MTU and Mitsubishi.

Designed to provide reliable power even in the most extreme climates and performed above and beyond expectations in ambient testing.

Custom designed and built to reduce service & maintenance costs.

Technical Data

Generator Set Model: PZ-40C

Prime power (kVA/kW)	40/32
Standby power (kVA/kW)	45/35
Rated voltage line to line (V)	230/400
Rated current (A)	57.6
Maximum sound level (dBA@7m)	72

Cummins Engine Model: 4BT3.9-G2

Aspiration	Four-stroke, water-cooled, in-line, direct injection, turbocharged
Fuel system	BYC A electrical governor
Number of cylinders	4
Displacement (L)	3.9
Bore*Stroke (mm)	102x120
Compression ratio	18.0:1
Rated speed (r/min)	1500
Governor	Electric system
Engine net weight (kg)	321
Engine idle speed (r/min)	950-1050
Firing order	1-3-4-2
Start motor (V)	24



Powerzone Technologies Pte Ltd

Generator sets powered by Cummins engine

Prime: 40kVA/32kW

Standby: 45kVA/35kW

Lubrication System

Idle speed oil pressure (kPa)	207
Governed speed oil pressure (kPa)	345
Max oil temp (°C)	121
Oil capacity (L)	10.9

Cooling System

Coolant capacity--Engine only (L)	7.2
Max coolant friction head to engine (kPa)	35
Max water temp standby/prime power (°C)	104/100

Standard Features

Cummins engine, radiator 50°C max, cooling fans are driven by fan belt

24V charge alternator, single bearing alternator IP23

Insulation class H/H, standard auto control system

One set of air filter, fuel filter, oil filter, main line circuit breaker / ACB

Base fuel tank, two 24V batteries, rac and cable, exhaust system (ripple flex exhaust pipe)

Exhaust siphon, flange, muffler, user manual, battery charger

Options

Water heater, alternator heater, PMG, water oil separator, daily fuel tank, remote control panel,

Automatic Transfer Switch (ATS), switch box

Alternator

Model	S1L2-K1
Alternator brand	Stamford
Phase	3
Voltage (V)	230/400
Wiring type	12 wires
Bearing	1
Power factor	0.8
Frequency (Hz)	50
Prime power (kVA)	40
Exciter type	Brushless, self-excitation
Voltage regulation (%)	±0.5
Protection grade	IP 23
Insulation grade	Class H



Powerzone Technologies Pte Ltd

Generator sets powered by Cummins engine

**Prime: 40kVA/32kW
Standby: 45kVA/35kW**

Controller-Deepsea

Model

DSE 6120

Comprehensive synchronising & load-sharing

Built-in governor and AVR control

Base load (**kW export**) functionality

Mains (**utility**) de-coupling protection

Generator power (**kW, kVA**) monitoring

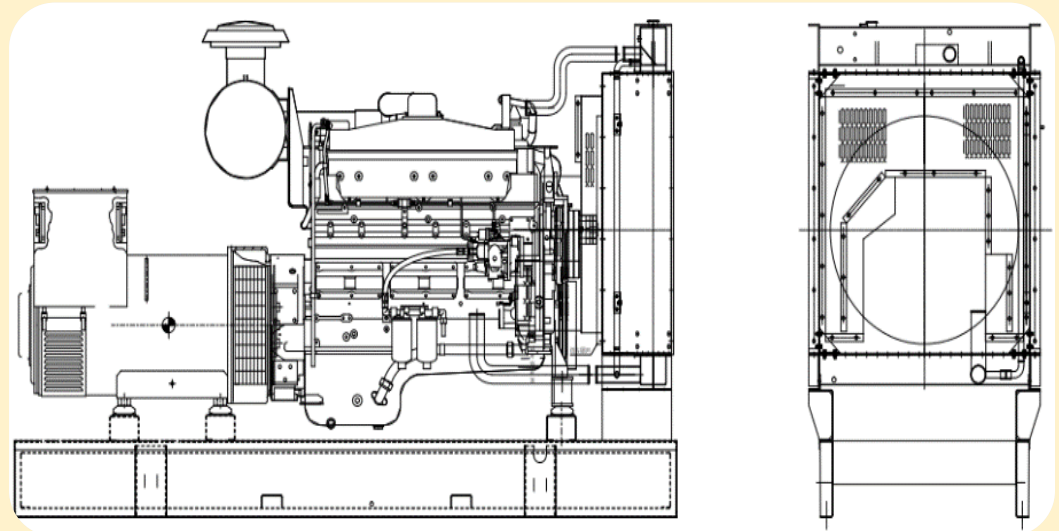
Overload (**kW & kVAR**) protection

Emergency stop, Auto-Main-Failure (**AMF**)



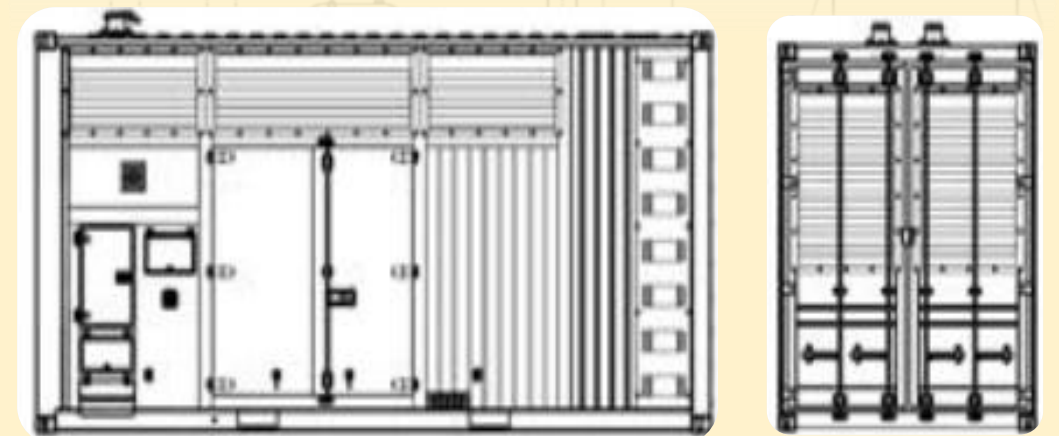
Generator Set Dimensions (Basic unit)

Open Type



**L*W*H (mm) : 1700*850*1250
Weight (kg) : 840**

Silent Type



**L*W*H (mm) : 2300*950*1300
Weight (kg) : 1140**

Warranty

Cummin Engine

12 months from date of delivery.

Generator

12 months from date of delivery.

Powerzone Technologies Pte Ltd

Blk 9, Kallang Place #06-09

Kallang Basin Industrial Estate Singapore 33915

Tel: +65-6299 3711 Fax: +65-6299 4911

Email : sales@powerzone.com.sg

Website : www.powerzone.com.sg