



Powerzone Technologies Pte Ltd

Generator sets powered by Cummins engine

**Prime: 1000kVA/800kW
Standby: 1100kVA/880kW**



POWER THAT NEVER FAILS

Founded in 2009, Powerzone Technologies Pte Ltd specialized in the manufacturing of power generator sets and power plant solutions provider.

Powerzone Technologies is one of the leading power generation solution providers in Singapore, supplying High-Quality generator sets, and spare parts to a wide range of industries worldwide.

Our engines are supplied by the world's largest engine manufacturers, namely Perkins and Cummins as well as Caterpillar, MTU and Mitsubishi.

Designed to provide reliable power even in the most extreme climates and performed above and beyond expectations in ambient testing.

Custom designed and built to reduce service & maintenance costs.

Technical Data

Generator Set Model: PZ-1000C

| | |
|--------------------------------|----------|
| Prime power (kVA/kW) | 1000/800 |
| Standby power (kVA/kW) | 1100/880 |
| Rated voltage line to line (V) | 230/400 |
| Rated current (A) | 1440 |
| Maximum sound level (dBA@7m) | 75 |

Cummins Engine Model: KTA38-G5

| | |
|---------------------------|--|
| Aspiration | 60° V degree , 12 cylinders, turbocharged, aftercooled |
| Fuel system | Direct Injection Cummins PT |
| Number of cylinders | 12 |
| Displacement (L) | 38 |
| Bore*Stroke (mm) | 159x159 |
| Compression ratio | 13.9:1 |
| Rated speed (r/min) | 1500 |
| Governor | Electric system |
| Engine net weight (kg) | 5003 |
| Engine idle speed (r/min) | 575-650 |
| Firing order | 1R-6L-5R-2L-3R-4L-6R-1L-2R-5L-4R-3L |
| Start motor (V) | 24 |



Powerzone Technologies Pte Ltd

Generator sets powered by Cummins engine

**Prime: 1000kVA/800kW
Standby: 1100kVA/880kW**

Lubrication System

| | |
|-----------------------------------|---------|
| Idle speed oil pressure (kPa) | 138 |
| Governed speed oil pressure (kPa) | 310-448 |
| Max oil temp (°C) | 121 |
| Oil capacity (L) | 151.4 |

Cooling System

| | |
|---|---------|
| Coolant capacity--Engine only (L) | 66 |
| Coolant capacity--With radiator | 112 |
| Max coolant friction head to engine (kPa) | 48.3 |
| Max water temp standby/prime power (°C) | 104/100 |

Standard Features

- Cummins engine, radiator 50°C max, cooling fans are driven by fan belt
- 24V charge alternator, single bearing alternator IP23
- Insulation class H/H, standard auto control system
- One set of air filter, fuel filter, oil filter, main line circuit breaker / ACB
- Base fuel tank, two 24V batteries, rac and cable, exhaust system (ripple flex exhaust pipe)
- Exhaust siphon, flange, muffler, user manual, battery charger

Options

- Water heater, alternator heater, PMG, water oil separator, daily fuel tank, remote control panel,
- Automatic Transfer Switch (ATS), switch box

Alternator

| | |
|------------------------|----------------------------|
| Model | LVI634E |
| Alternator brand | Stamford |
| Phase | 3 |
| Voltage (V) | 230/400 |
| Wiring type | 12 wires |
| Bearing | 1 |
| Power factor | 0.8 |
| Frequency (Hz) | 50 |
| Prime power (kVA) | 1000 |
| Exciter type | Brushless, self-excitation |
| Voltage regulation (%) | ±0.5 |
| Protection grade | IP 23 |
| Insulation grade | Class H |



Powerzone Technologies Pte Ltd

Generator sets powered by Cummins engine

**Prime: 1000kVA/800kW
Standby: 1100kVA/880kW**

Controller-Deepsea

Model

DSE 7320

Comprehensive synchronising & loadsharing

Built-in governor and AVR control

Base load (kW export) functionality

Mains (utility) de-coupling protection

Generator power (kW, kVA) monitoring

Overload (kW & kVAR) protection

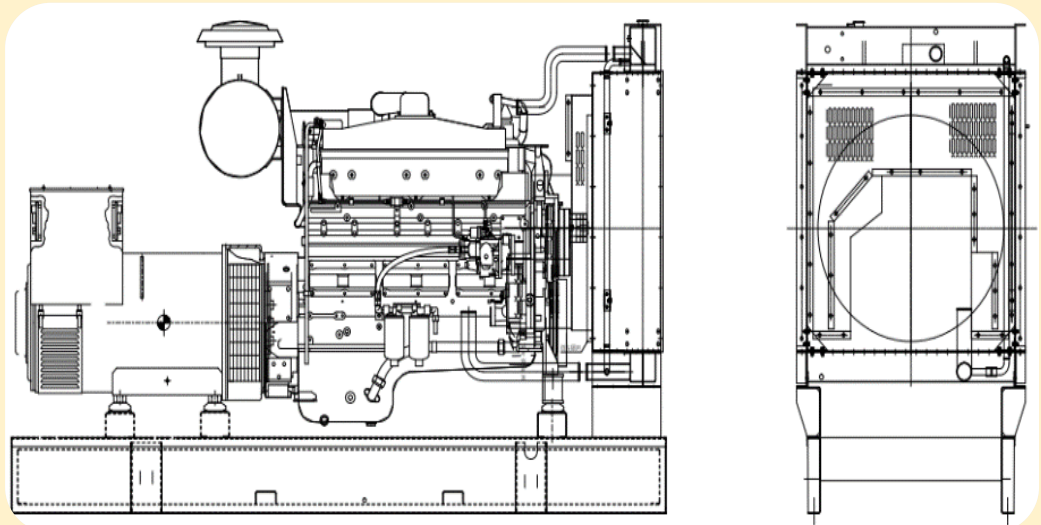
Emergency stop, Auto-Main-Failure (AMF)



Generator Set Dimension (Basic unit)

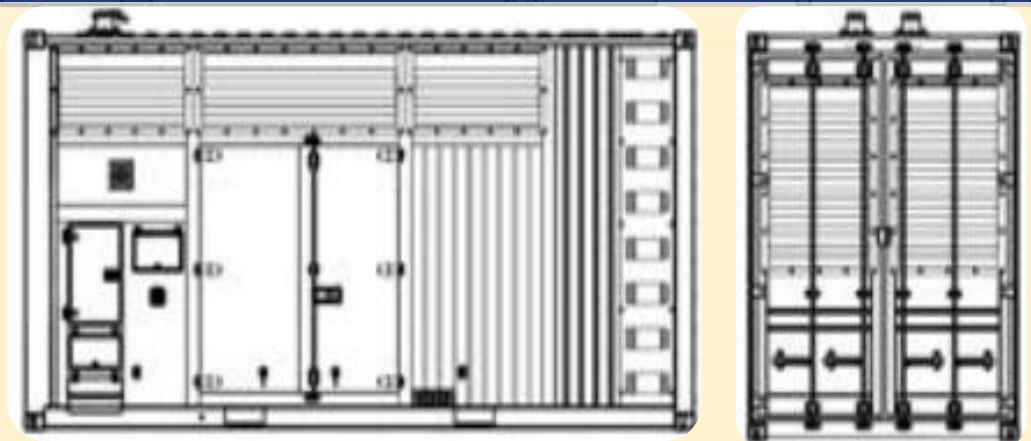
Open Type

**L*W*H (mm) : 4500*1900*2050
Weight (kg) : 5400**



Silent Type

**L*W*H (mm) : 5600*2150*2500
Weight (kg) : 6000**



Warranty

Cummin Engine

12 months from date of delivery.

Generator

12 months from date of delivery.

Powerzone Technologies Pte Ltd

Blk 9, Kallang Place #06-09

Kallang Basin Industrial Estate Singapore 33915

Tel: +65-6299 3711 Fax: +65-6299 4911

Email : sales@powerzone.com.sg

Website : www.powerzone.com.sg