

BR6 Series Generator

Standard Features

- Comply with the most common standard in terms of GB755, IEC60034, BS5000, VDE0530, CSAC22.2-100
- Single or double bearings are available, options for all kinds of adaptors and disc plates
- 12-end reconnectable winding terminals to get different voltages
- Standard "H" insulation class
- Convenient installation and maintenance for lead-end rotated diodes and adaptor connected bolts
- Standard sealed maintenance - free bearings
- Standard IP23 protection, optional serve environment protection
- Optional auxiliary winding in excitation system
- Optional transformer-controlled system to increase motor starting capability

Options

- Winding RTD
- Winding protection thermistor and relay
- Anti-condensation heater
- Air filter
- Droop CT

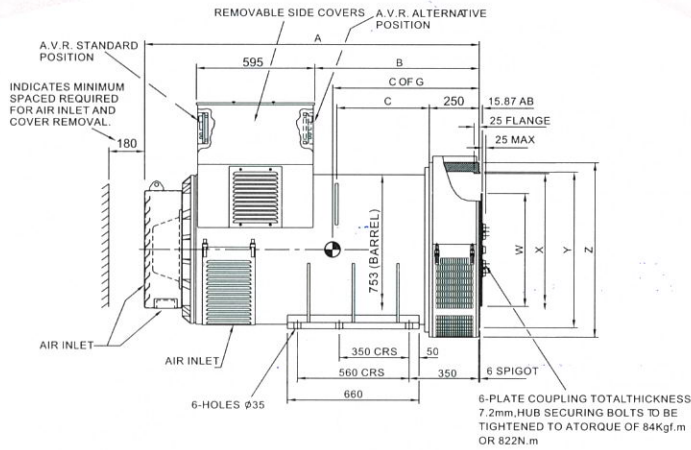
BR6 3-PHASE INDUSTRIAL RATINGS

		50 Hz (1500PM)			60 Hz 1800PM)		
VOLTAGE		CLASS "H" TEMPERATURE - RISE (125°C)			CLASS "H" TEMPERATURE - RISE (125°C)		
STAR-SERIES		380	400	415	440	460	480
STAR-PARALLEL		190	200	208	220	230	240
DELTA-SERIES		220	230	240	254	266	277
BR634B	KVA	750	750	750	900	900	900
	KW	600	600	600	720	720	720
	EFFICIENCY	93.2	93.3	93.5	93	93.1	93.3
BR634C	KVA	800	800	800	963	963	963
	KW	640	640	640	770	770	770
	EFFICIENCY	93.6	93.6	93.8	93.4	93.5	93.7
BR634D	KVA	912	912	912	1088	1088	1088
	KW	730	730	730	870	870	870
	EFFICIENCY	93.5	93.5	93.7	93.3	93.4	93.6
BR634E	KVA	1025	1025	1025	1150	1150	1150
	KW	820	820	820	920	920	920
	EFFICIENCY	94.2	94.2	94.4	94.1	94.2	94.3
BR634F	KVA	1138	1138	1138	1275	1275	1275
	KW	910	910	910	1020	1020	1020
	EFFICIENCY	94.6	94.7	94.8	94.6	94.7	94.8
BR634G	KVA	1250	1250	1250	1500	1500	1500
	KW	1000	1000	1000	1200	1200	1200
	EFFICIENCY	94.8	94.9	95	94.9	94.9	95

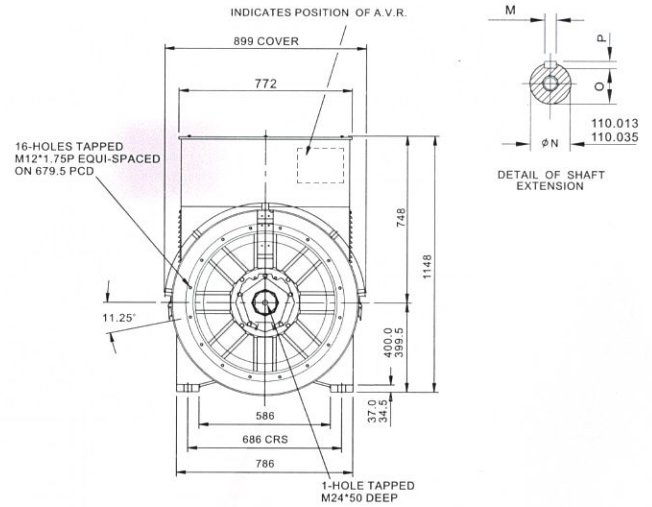
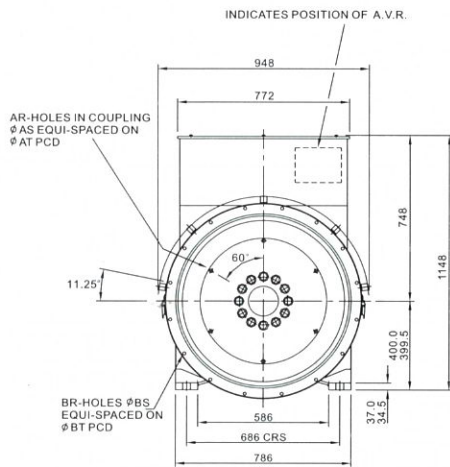
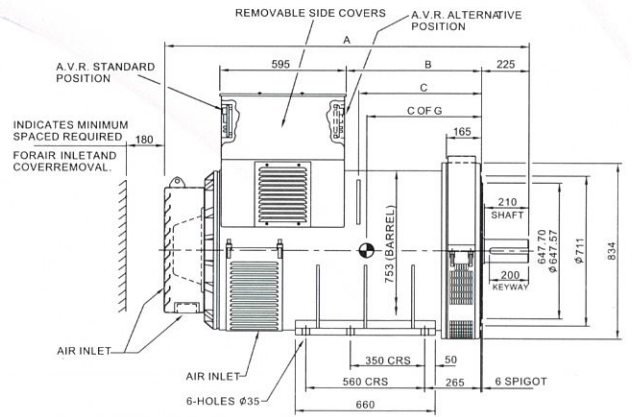
Note: The generators have been designed for use in a maximum ambient temperature of 40° C and altitude less than 1000m above sea level. All generators are 4-poles ones. Extended range voltage can be got from single windings or from 12-leads adjusted. Other special voltage range can be met by Bridgeford.

BRIDGEFORD[®] ALTERNATORS

BR6 SINGLE-BEARING



BR6 DOUBLE-BEARING



DIMENSION				
TYPE	A	B	C	CG
BR634B	1578	726	405	587
BR634C	1578	726	405	591
BR634D	1578	726	405	597
BR634E	1578	726	405	607
BR634F	1578	726	405	625
BR634G	1679	826	464	735

DIMENSION				
TYPE	A	B	C	CG
BR634B	1718	640	570	587
BR634C	1718	640	570	591
BR634D	1718	640	570	597
BR634E	1718	640	570	607
BR634F	1718	640	570	625
BR634G	1904	826	716	735

COUPLING DISC					
S.A.E.No.	AB	AR	AS	AT	W
24	0	12	20.7	692	733.3
21	0	12	16.7	641.3	673.02
18	15.87	6	16.7	543	571.42
14	25.4	8	13.5	438.1	466.64

SHAFT EXTENSION				
	M	N	O	P
BR634B/C/D/E/F	27.926	110.035	100	16
	27.978	110.013	99.8	
BR634G	31.974	125.04	114	18
	31.912	125.015	113.8	

ADAPTOR						
S.A.E.No.	BR	BS	BT	X	Y	Z
00	16	14	851	772	787.3	882
0	16	14	679.5	632	647.6	810
0.5	16	14	619.1	559	584.1	810

TRANSPORTATION DATA			
TYPE	NET WEIGHT (kg)	GROSS WEIGHT (kg)	PACKAGE SIZE (mm)
BR634B	1950	2020	180 x 100 x 145
BR634C	1970	2040	180 x 100 x 145
BR634D	2030	2100	180 x 100 x 145
BR634E	2190	2260	180 x 100 x 145
BR634F	2420	2490	180 x 100 x 145
BR634G	2750	2820	195 x 100 x 145

TRANSPORTATION DATA			
TYPE	NET WEIGHT (kg)	GROSS WEIGHT (kg)	PACKAGE SIZE (mm)
BR634B	1960	2030	200 x 105 x 145
BR634C	1980	2050	200 x 105 x 145
BR634D	2040	2110	200 x 105 x 145
BR634E	2210	2280	200 x 105 x 145
BR634F	2430	2500	200 x 105 x 145
BR634G	2760	2830	220 x 100 x 145