

BR5 Series Generator

Standard Features

- Comply with the most common standard in terms of GB755, IEC60034, BS5000, VDE0530, CSAC22.2-100
- Single or double bearings are available, options for all kinds of adaptors and disc plates
- 12-end reconnectable winding terminals to get different voltages
- Standard "H" insulation class
- Convenient installation and maintenance for lead-end rotated diodes and adaptor connected bolts
- Standard sealed maintenance - free bearings
- Standard IP23 protection, optional serve environment protection
- Optional auxiliary winding in excitation system
- Optional transformer-controlled system to increase motor starting capability

Options

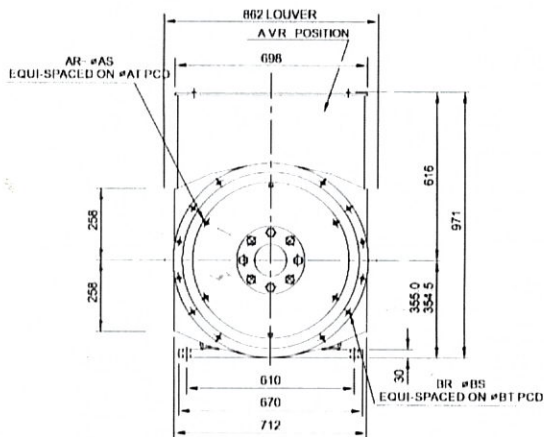
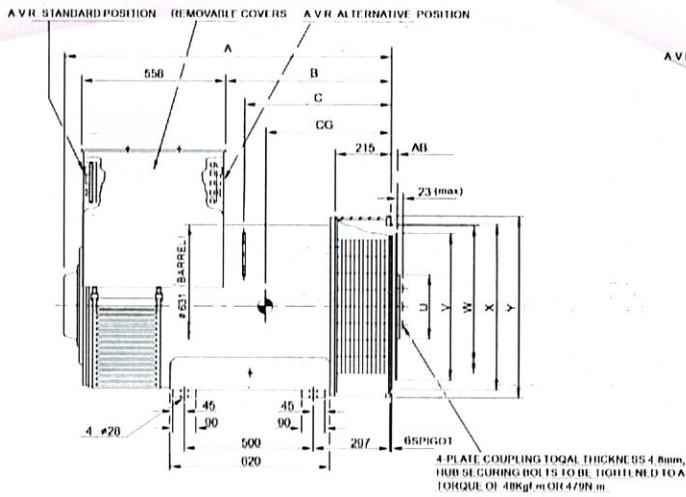
- Winding RTD
- Winding protection thermistor and relay
- Anti-condensation heater
- Air filter
- Droop CT

BR5 3-PHASE INDUSTRIAL RATINGS							
		50 Hz (1500PM)			60 Hz 1800PM)		
VOLTAGE		CLASS "H" TEMPERATURE - RISE (125°C)			CLASS "H" TEMPERATURE - RISE (125°C)		
STAR-SERIES		380	400	415	440	460	480
STAR-PARALLEL		190	200	208	220	230	230
DELTA-SERIES		220	230	240	254	266	266
BR544C	KVA	450	450	450	550	563	581
	KW	360	360	360	440	450	465
	EFFICIENCY	93.8	94.1	94.3	93.9	93.3	93.4
BR544D	KVA	500	500	500	575	594	625
	KW	400	400	400	460	475	500
	EFFICIENCY	94.1	94.4	94.6	94.2	94.4	94.6
BR544MP	KVA	563	563	563	650	663	670
	KW	450.4	450.4	450.4	520	530.4	536
	EFFICIENCY	94.7	94.9	95.0	94	94.2	94.3
BR544E	KVA	600	600	600	713	731	750
	KW	480	480	480	570.4	584.8	600
	EFFICIENCY	94.7	94.9	95	94.9	95	95
BR544EB	KVA	625	625	625	740	780	900
	KW	500	500	500	592	624	640
	EFFICIENCY	94.6	94.9	95	94.8	94.9	95.1
BR544F	KVA	688	688	688	775	800	825
	KW	550	550	550	620	640	660
	EFFICIENCY	94.6	95	95.1	94.8	94.9	94.9

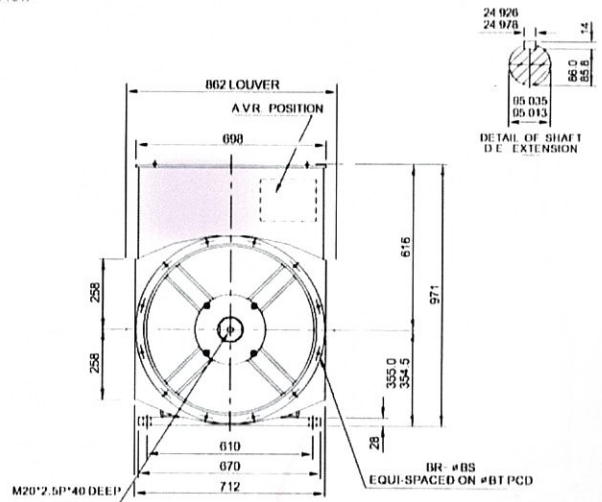
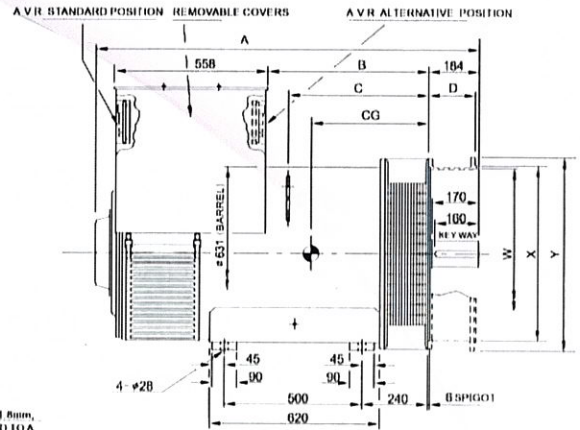
Note: The generators have been designed for use in a maximum ambient temperature of 40° C and altitude less than 1000m above sea level. All generators are 4-poles ones. Extended range voltage can be got from single windings or from 12-leads adjusted. Other special voltage range can be met by Bridgeford.

BRIDGEFORD[®] ALTERNATORS

BR5 SINGLE-BEARING



BR5 DOUBLE-BEARING



DIMENSION				
TYPE	A	B	C	CG
BR544C	1216	592	510	515
BR544D	1216	592	510	535
BR544MP	1216	592	510	535
BR544E	1341	717	627	545
BR544EB	1341	717	627	620
BR544F	1341	717	627	625

COUPLING DISC						
S.A.E.No.	AB	AR	AS	AT	U	V
14	25.40	8	13.5	438.1	250	466.6
18	15.87	6	16.7	543.0	250	571.4
21	0	12	16.7	641.3	250	673.0

ADAPTOR						
S.A.E.No.	BR	BS	BT	W	X	Y
00	12	14	850.9	772	787.3	882
0	12	14	679.5	632	647.6	711
1/2	12	14	619.1	568	584.1	700
1	12	12.7	530.2	496	511.1	700

TRANSPORTATION DATA			
TYPE	NET WEIGHT (kg)	GROSS WEIGHT (kg)	PACKAGE SIZE (mm)
BR544C	1200	1280	165 x 95 x 116
BR544D	1308	1388	165 x 95 x 116
BR544MP	1308	1388	165 x 95 x 116
BR544E	1500	1580	165 x 95 x 116
BR544EB	1650	1730	165 x 95 x 116
BR544F	1660	1740	165 x 95 x 116

DIMENSION				
TYPE	A	B	C	CG
BR544C	1343	535	453	498
BR544D	1343	535	453	518
BR544MP	1343	535	453	518
BR544E	1468	660	570	538
BR544EB	1468	660	570	565
BR544F	1468	660	570	570

ADAPTOR							
S.A.E.No.	BR	BS	BT	D	W	X	Y
00	16	14	830.9	170	772	787.3	882
0	16	14	679.5	150	632	647.6	711
1/2	12	14	619.1	150	569	584.1	648
1	12	12.7	530.2	150	496	511.1	553
12V135	12	14	625.0	158	590	604.9	660

TRANSPORTATION DATA			
TYPE	NET WEIGHT (kg)	GROSS WEIGHT (kg)	PACKAGE SIZE (mm)
BR544C	1205	1290	170 x 95 x 116
BR544D	1308	1393	170 x 95 x 116
BR544MP	1308	1393	170 x 95 x 116
BR544E	1500	1585	170 x 95 x 116
BR544EB	1650	1735	170 x 95 x 116
BR544F	1660	1745	170 x 95 x 116