

BR4 Series Generator

Standard Features

- Comply with the most common standard in terms of GB755, IEC60034, BS5000, VDE0530, CSAC22.2-100
- Single or double bearings are available, options for all kinds of adaptors and disc plates
- 12-end reconnectable winding terminals to get different voltages
- Standard "H" insulation class
- Convenient installation and maintenance for lead-end rotated diodes and adaptor connected bolts
- Standard sealed maintenance - free bearings
- Standard IP23 protection, optional serve environment protection
- Optional auxiliary winding in excitation system
- Optional transformer-controlled system to increase motor starting capability

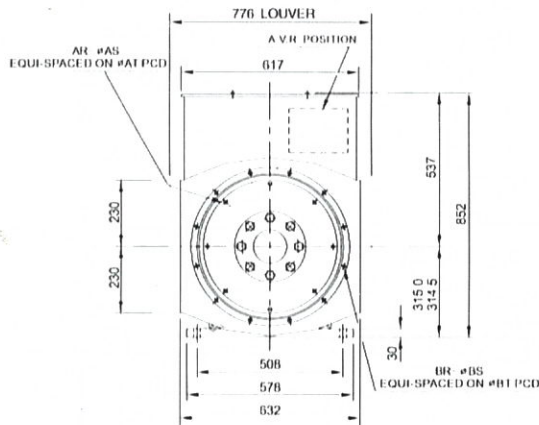
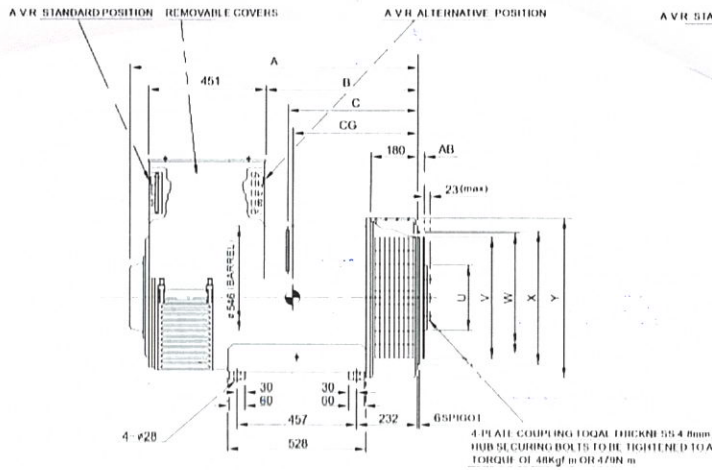
Options

- Winding RTD
- Winding protection thermistor and relay
- Anti-condensation heater
- Air filter
- Droop CT

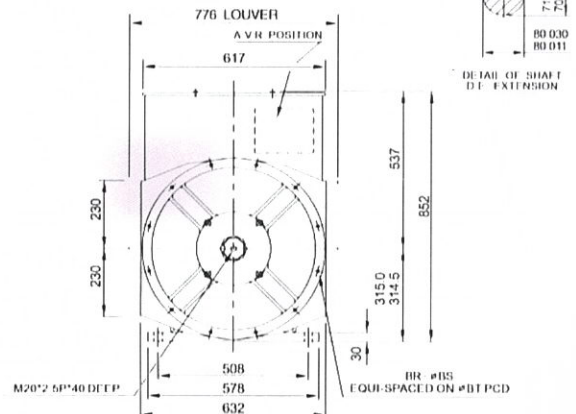
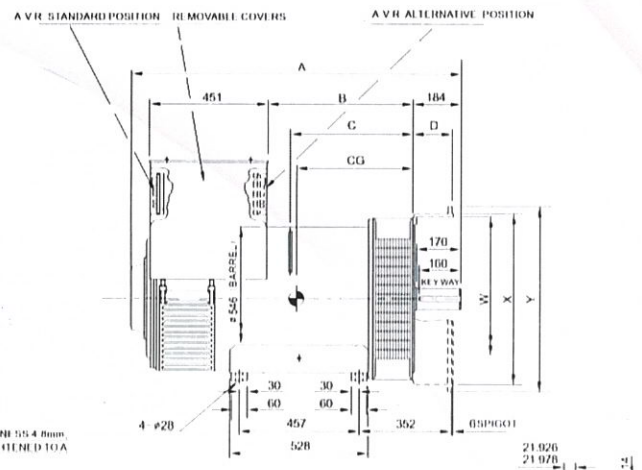
BR4 3-PHASE INDUSTRIAL RATINGS							
		50 Hz (1500PM)			60 Hz 1800PM)		
VOLTAGE		CLASS "H" TEMPERATURE - RISE (125°C)			CLASS "H" TEMPERATURE - RISE (125°C)		
STAR-SERIES		380	400	415	440	460	480
STAR-PARALLEL		190	200	208	220	230	230
DELTA-SERIES		220	230	240	254	266	266
BR444C	KVA	250	250	250	294	300	300
	KW	200	200	200	235	240	240
	EFFICIENCY	92.5	92.4	92.7	92.4	92.6	92.6
BR444D	KVA	294	294	294	350	356	362
	KW	235	235	235	280	285	290
	EFFICIENCY	92.3	92.7	93	92.6	92.7	92.8
BR444M	KVA	312.5	312.5	312.5	375	394	400
	KW	250	250	250	300	315	325
	EFFICIENCY	93.2	93.5	93.6	93.3	93.5	93.7
BR444ES	KVA	325	325	325	394	406	419
	KW	260	260	260	315.2	324.8	335.2
	EFFICIENCY	93.6	93.7	93.8	93.7	93.8	93.8
BR444E	KVA	344	344	344	445	425	440
	KW	275	275	275	332	340	352
	EFFICIENCY	93.1	93.3	93.5	93.2	93.5	93.5
BR444F	KVA	375	375	375	450	450	450
	KW	300	300	300	360	360	360
	EFFICIENCY	93	93.2	93.3	93	93.3	93.4
BR444FS	KVA	400	400	400	480	480	500
	KW	320	320	320	384	384	400
	EFFICIENCY	93.2	93.4	93.6	93	93.4	93.7

Note: The generators have been designed for use in a maximum ambient temperature of 40° C and altitude less than 1000m above sea level. All generators are 4-poles ones. Extended range voltage can be got from single windings or from 12-leads adjusted. Other special voltage range can be met by Bridgeford.

BR4 SINGLE-BEARING



BR4 DOUBLE-BEARING



DIMENSION				
TYPE	A	B	C	CG
BR444C	1051	534	445	463
BR444D	1051	534	445	483
BR444M	1051	534	445	495
BR444ES	1051	534	445	495
BR444E	1191	674	575	504
BR444F	1191	674	575	530
BR444FS	1191	674	575	535

DIMENSION				
TYPE	A	B	C	CG
BR444C	1205	504	415	433
BR444D	1205	504	415	453
BR444M	1205	504	415	465
BR444ES	1205	504	415	465
BR444E	1345	644	553	474
BR444F	1345	644	553	500
BR444FS	1345	644	553	505

COUPLING DISC						
S.A.E.No.	AB	AR	AS	AT	U	V
11.5	39.68	8	10.3	333.4	250	352.3
14	25.40	8	13.5	438.1	250	466.6
18	15.87	6	16.7	543.0	250	571.4

ADAPTOR							
S.A.E.No.	BR	BS	BT	D	W	X	Y
0	16	14	679.5	150	632	647.6	711
1/2	12	14	619.1	150	569	584.1	648
1	12	12.7	530.2	150	496	511.1	553
12V135	12	14	625.0	158	590	604.9	660

ADAPTOR						
S.A.E.No.	BR	BS	BT	W	X	Y
0	12	14	679.5	626	647.6	711
1/2	12	14	619.1	569	584.1	680
1	12	12.7	530.2	496	511.1	617
2	12	11	466.7	432	447.6	617
3	12	11	428.6	394	409.5	617

TRANSPORTATION DATA			
TYPE	NET WEIGHT (kg)	GROSS WEIGHT (kg)	PACKAGE SIZE (mm)
BR444C	820	880	151 x 79 x 107
BR444D	880	940	151 x 79 x 107
BR444M	1010	1070	151 x 79 x 107
BR444ES	1010	1070	151 x 79 x 107
BR444E	1100	1160	151 x 79 x 107
BR444F	1125	1185	151 x 79 x 107
BR444FS	1130	1195	151 x 79 x 107

TRANSPORTATION DATA			
TYPE	NET WEIGHT (kg)	GROSS WEIGHT (kg)	PACKAGE SIZE (mm)
BR444C	820	880	151 x 79 x 107
BR444D	880	940	151 x 79 x 107
BR444M	1010	1070	151 x 79 x 107
BR444ES	1010	1070	151 x 79 x 107
BR444E	1100	1160	151 x 79 x 107
BR444F	1125	1185	151 x 79 x 107
BR444FS	1130	1195	151 x 79 x 107